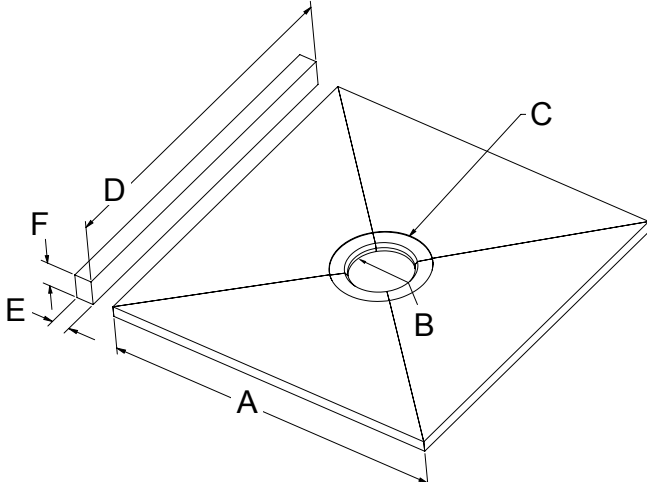






# SQUAREDRAIN SHOWER INSTALLATION KIT WITH LIQUID WATERPROOFING ACCESSORIES TECHNICAL SPECIFICATION

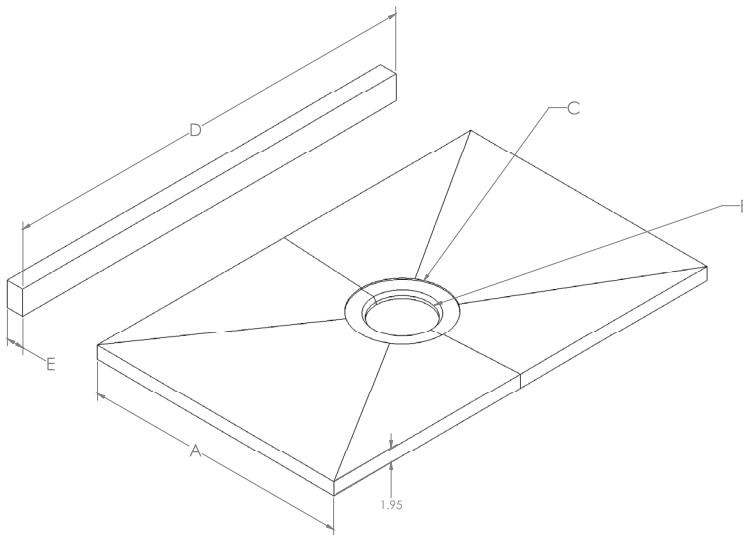


## 48"X48" INSTALLATION KITS

**SDPAN-LWP48x48-SF** Includes small (SF) Universal Flange Adaptor Conversion Kit and liquid (LWP) waterproofing accessories\*. Compatible with all 4" SquareDrain Kits (SD04-)

**SDPAN-LWP48x48-LF** Includes large (LF) Universal Flange Adaptor Conversion Kit and liquid (LWP) waterproofing accessories\*. Compatible with all 5" and 6" SquareDrain Kits (SD05- and SD06-)

[A]:	Pan Size:	48" x 48"	[D]:	Curb Length	48"
[B]:	Thru Hole	SF: 6"	[E]:	Curb Width	2-1/2"
		LF: 8-1/2"			
[C]:	Flange O.D.	SF: 10-1/2"	[F]:	Curb Height	3-13/16"
		LF: 13"			

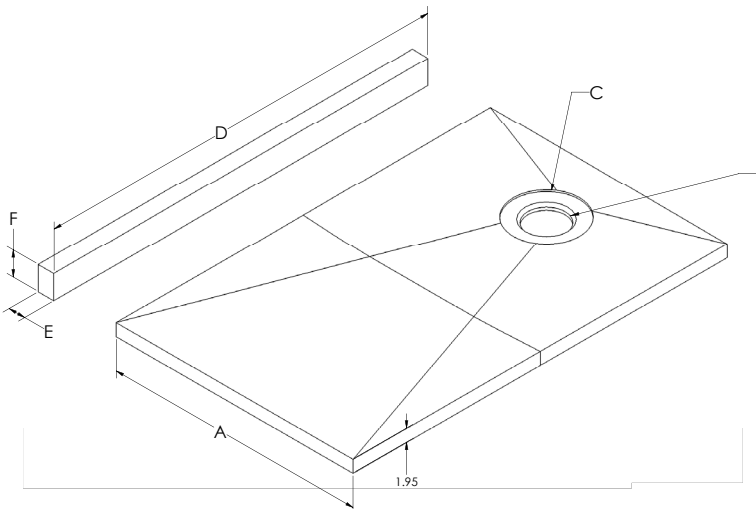


## 38"X60" CENTERED OUTLET INSTALLATION KITS

**SDPAN-LWP38x60-SF** Includes small (SF) Universal Flange Adaptor Conversion Kit and liquid (LWP) waterproofing accessories\*. Compatible with all 4" SquareDrain Kits (SD04-)

**SDPAN-LWP38x60-LF** Includes large (LF) Universal Flange Adaptor Conversion Kit and liquid (LWP) waterproofing accessories\*. Compatible with all 5" and 6" SquareDrain Kits (SD05- and SD06-)

[A]:	Pan Size:	38" x 60"	[D]:	Curb Length	60"
[B]:	Thru Hole	SF: 6"	[E]:	Curb Width	2-1/2"
		LF: 8-7/16"			
[C]:	Flange O.D.	SF: 10-1/2"	[F]:	Curb Height	3-13/16"
		LF: 13"			



## 38"X60" OFFSET OUTLET INSTALLATION KITS

**SDPAN-LWP38x60-SFOFF** Includes small (SF) Universal Flange Adaptor Conversion Kit and liquid (LWP) waterproofing accessories\*. Compatible with all 4" SquareDrain Kits (SD04-)

**SDPAN-LWP38x60-LFOFF** Includes large (LF) Universal Flange Adaptor Conversion Kit and liquid (LWP) waterproofing accessories\*. Compatible with all 5" and 6" SquareDrain Kits (SD05- and SD06-)

[A]:	Pan Size:	38" x 60"	[D]:	Curb Length	60"
[B]:	Thru Hole	SF: 6"	[E]:	Curb Width	2-1/2"
		LF: 8-7/16"			
[C]:	Flange O.D.	SF: 10-1/2"	[F]:	Curb Height	3-13/16"
		LF: 13"			



# SQUAREDRAIN SHOWER INSTALLATION KIT WITH LIQUID WATERPROOFING ACCESSORIES TECHNICAL SPECIFICATION

## DESCRIPTION

Topical liquid waterproofing accessories shall be used in residential and commercial applications when creating a watertight shower pan, shower system, or wet room. Liquid membrane must be installed a minimum of 4" above the flood rim in a shower pan and can be used to waterproof walls within shower footprint or other surfaces with tile/stone application. Reinforcement accessories shall be used to bridge joints, create transitional seams or connection within the shower pan and shower system.

Liquid waterproofing accessories for use with any liquid waterproofing: Aqua Defense, Hydroban, 3295, Ardex 8+9, RedGard

## APPROVALS AND LISTINGS

Before installing the QuickDrain system, check with your local building department/plumbing inspector to ensure compliance with the local building codes. QuickDrain is not responsible for any conflicts with local building codes. QuickDrain is not responsible for improper installation of any part of the assembly or the waterproofing membrane. Dimensions are subject to manufacturer's tolerance and can change without notice.



## INSTALLATION KIT INCLUDES

- Reinforcement Fabric
  - Reinforcement Collar
  - Curb Covers
  - Inside Corners
- \* Liquid waterproofing not included  
Drain base sold separately*

Item Code	Reinforcement Collar Size	Components		
		Curb Covers	Inside Corners	Reinforcement Fabric
SDPAN-LWP48x48-SF	Small	2	4	1
SDPAN-LWP38x60-SFOFF	Small	2	4	1
SDPAN-LWP38x60-SF	Small	2	4	1
SDPAN-LWP48x48-LF	Large	2	4	1
SDPAN-LWP38x60-LFOFF	Large	2	4	1
SDPAN-LWP38x60-LF	Large	2	4	1



# SQUAREDRAIN SHOWER INSTALLATION KIT WITH LIQUID WATERPROOFING ACCESSORIES TECHNICAL SPECIFICATION: UNIVERSAL FLANGE ADAPTOR

## DESCRIPTION

The QuickDrain Universal Flange Adaptor is made of reinforced nylon and molded in the USA. It is available in two sizes: large (13") and small (10-1/2"). The flange adaptor shall have universal bolt slots and Phillips head screws which can be fastened to most drain bases. It shall have a molded TPE dual profile gasket which seals to most PVC/ABS drain bases to upgrade or retrofit from traditional pan liner to topical membrane waterproofing. It shall have integrated threads and a weep zone to allow water to properly migrate to the drain. The flange shall be textured to bond topical fabric membrane with thinset and compatible to liquid applied waterproofing.

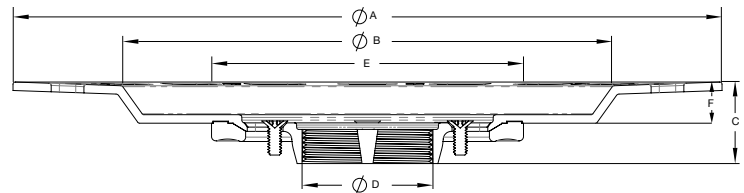
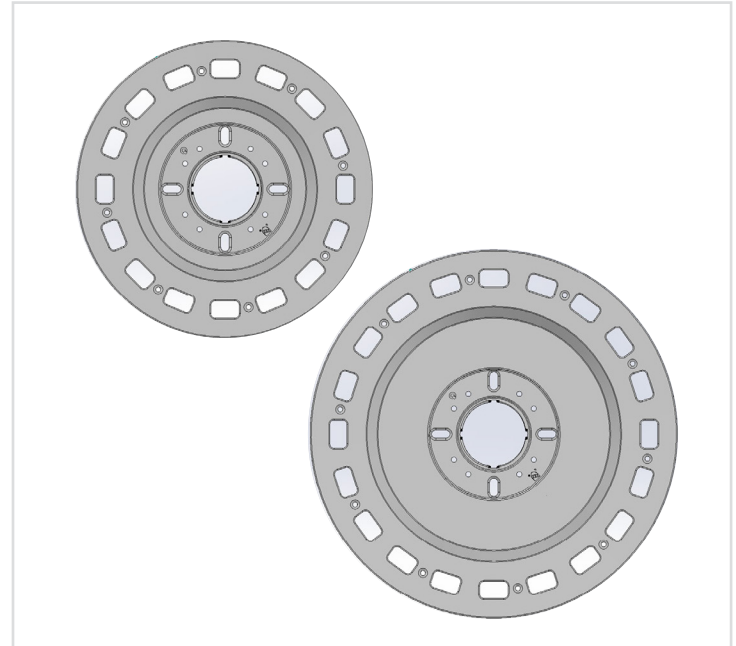
## APPROVALS AND LISTINGS

Before installing the QuickDrain system, check with your local building department/plumbing inspector to ensure compliance with the local building codes. QuickDrain is not responsible for any conflicts with local building codes. QuickDrain is not responsible for improper installation of any part of the assembly or the waterproofing membrane. Dimensions are subject to manufacturer's tolerance and can change without notice.



## CONVERSION KIT INCLUDES

- Flange Adaptor (1)
- Weep Guard (1)
- Phillips Head Screws (4)  
*Drain base sold separately*



## FLANGE ADAPTOR DIMENSIONS

[A]:	Width	SF: 10-12" LF: 13"	[D]:	Hub Dimension	2" Sch 40
[B]:	Recess Width	SF: 6-1/2" LF: 9"	[E]:	Compatible Drain Bodies	SF: 4" LF: 5", 6"
[C]:	Height	4"	[F]:	Drain Body Depth	1/4"

Flange Adaptor Size	Included with:
Small Universal	SDPAN-SWP48x48-SF SDPAN-SWP38x60-SFOFF SDPAN-SWP38x60-SF SDPAN-LWP48x48-SF SDPAN-LWP38x60-SFOFF SDPAN-LWP38x60-SF
Large Universal	SDPAN-SWP48x48-LF SDPAN-SWP38x60-LFOFF SDPAN-SWP38x60-LF SDPAN-LWP48x48-LF SDPAN-LWP38x60-LFOFF SDPAN-LWP38x60-LF