



SHOWERLINE DRAIN KIT TECHNICAL SPECIFICATION

PRODUCT SELECTOR

EXAMPLE: SL2432-BG-DECO SHOWERLINE INSTALLATION KIT FOR SHOWERS 24IN TO 32IN WIDE WITH BRUSHED GOLD DECO DRAIN COVER



**ShowerLine
Drain Kit**

Drain Body Size

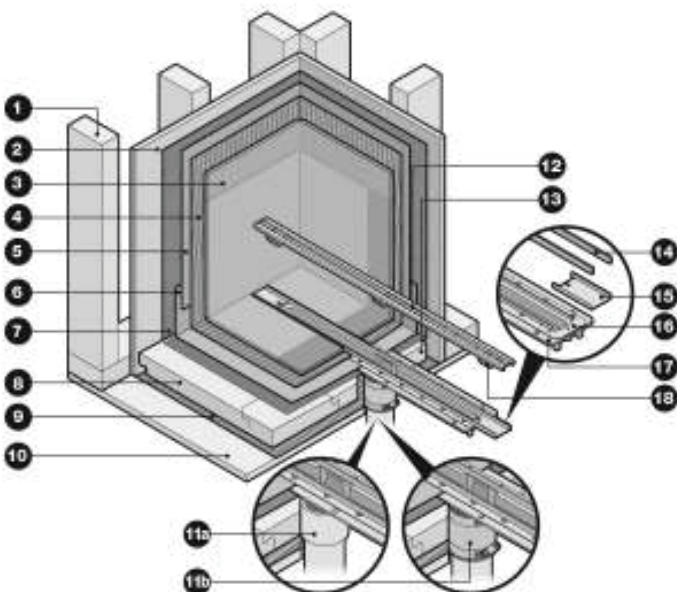
Finish

Cover Design

✓	DRAIN BODY SIZE	
	2432 =	For rough opening 24"-32" wide
	3240 =	For rough opening 32"-40" wide
	4048 =	For rough opening 40"-48" wide

✓	FINISH	
	BG =	Brushed Gold
	BSS =	Brushed Stainless Steel
	MB =	Matte Black
	PSS =	Polished Stainless Steel*

✓	COVER DESIGN
	DECO
	LINES
	STONES
	STREAM
	TILE-IN



INSTALLATION NOTES

- Drain body cannot be cut, but can be extended with use of trough extensions.
- Drain cover can be cut onsite to achieve wall-to-wall installation.
- Cutaway illustration shown here is for installation using a pre-sloped shower pan and sheet waterproofing. For different types of installations, please see our other cutaway illustrations at LRBrands.com/QuickDrain

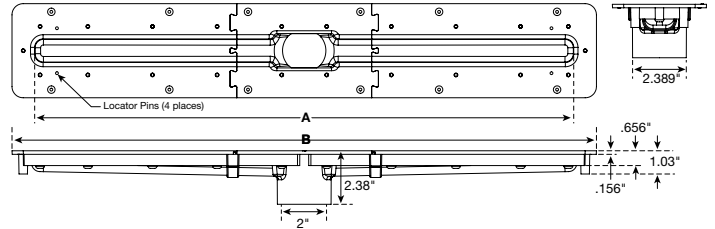
- | | |
|---|--|
| 1 Stud wall | 11a PVC-to-PVC connection |
| 2 Backer board | 11b Shielded no-hub coupling |
| 3 Wall tile and grout | 12 Drain cover |
| 4 Thin-set (for wall tile) | 13 Interlocking drain support frame |
| 5 Sheet waterproofing for wall | 14 Cover channel |
| 6 Sheet waterproofing for shower pan | 15 Trough extensions |
| 7 Thin-set | 16 Clamping collar |
| 8 Pre-sloped shower pan | 17 Drain body |
| 9 Thin-set | 18 Height adjustable spacer |
| 10 Sub-floor | |



SHOWERLINE DRAIN KIT TECHNICAL SPECIFICATION

DRAIN BODY DIMENSIONS

	SL2432-	SL3240-	SL4048-
Trough Opening [A]	24"	32"	40"
Drain Body Width [B]	26"	34"	42"
Maximum Width with Trough Extensions	32"	40"	48"
Height Adjustable Spacers	4	4	6
Screws for Clamping Collar	22	26	34



DECORATIVE DRAIN COVER DIMENSIONS

	[A] Length	[B] Width	[C] Depth	[D] Distance between Crossbars	[E] Final Crossbar to Edge	Border
Deco	32", 40", 48"	1-1/2"	3/8"	n/a	n/a	3/16"
Lines				3"	2-1/2"	n/a
Stones				n/a	n/a	3/16"
Stream				4-1/16"	1-11/16"	n/a
Tile-In				n/a	n/a	n/a

