



QUICKDRAIN UNIVERSAL FLANGE ADAPTOR CONVERSION KIT TECHNICAL SPECIFICATION

Job Name _____	Item # _____
Location _____	
Engineer _____	Contractor _____
PO # _____	Tag _____
Representative _____	

DESCRIPTION

The QuickDrain Universal Flange Adaptor is made of reinforced nylon (33GFPA) and molded in the USA. It is available in 2 sizes, large and small. The flange adaptor shall have universal bolt slots which can accommodate longer hex bolts and which can be fastened to numerous drain bases. It shall have a molded TPE dual profile gasket which seals to most PVC/ABS drain bases to upgrade or retrofit from traditional pan liner to topical membrane waterproofing. It shall have integrated threads and a weep zone to allow water to properly migrate to the drain. The flange shall be textured to bond topical fabric membrane with thinset and compatible to liquid applied waterproofing.

APPLICATIONS/USES

- Industrial, commercial and residential showers
- Gang showers
- Pet Showers

SUITABLE SUBSTRATES (INTERIOR ONLY)

- Concrete
- Exterior Glue Plywood
- Cement backer board**
- OSB or Avantech

**Consult cement backer board manufacturer for specific installation recommendations

FLANGE ADAPTOR CONVERSION KIT INCLUDES:

GFN33 Flange Adaptor (1), Weep Guard (1), Hex Bolts (4), Washers (4)

APPROVALS AND LISTINGS

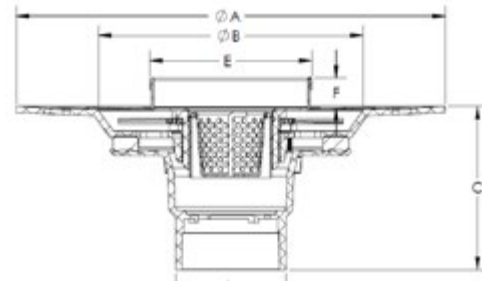
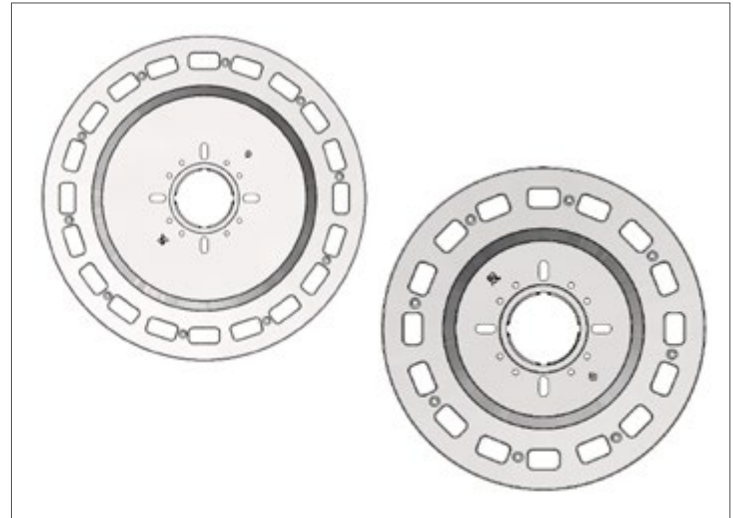
Before installing QuickDrain USA system, check with your local building department/plumbing inspector to ensure compliance with the local building codes. QuickDrain USA LLC is not responsible for any conflicts with local building codes. QuickDrain USA LLC is not responsible for improper installation of any part of the assembly or the waterproofing membrane. Dimensions are subject to manufacturer's tolerance and can change without notice.



PRODUCT SELECTOR

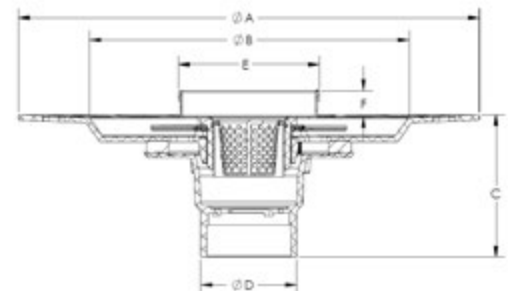
FLANGE ADAPTOR CONVERSION KIT		
✓	Flange Adaptor Size	Product Number
	Small, Universal	QDCONVERSIONKIT-SF
	Large, Universal	QDCONVERSIONKIT-LF

Universal Flange Adaptor is compatible to most PVC/ABS drain bases including Oatey®, Jones Stephens™, Sioux Chief, and AB&A™ models. Please reach out to Technical Support for additional information.



DIMENSIONS - LARGE ADAPTOR

[A]:	Width	13"	[D]:	Hub Dimension	2" Sch 40
[B]:	Recess Width	9"	[E]:	Drain Body Available in	4", 5", 6"
[C]:	Height	4"	[F]:	Drain Body Depth	¾"



DIMENSIONS - SMALL ADAPTOR

[A]:	Width	10-1/2"	[D]:	Hub Dimension	2" Sch 40
[B]:	Recess Width	6-1/2"	[E]:	Drain Body Available in	4"
[C]:	Height	4"	[F]:	Drain Body Depth	¾"

Access BIM/Revit content through www.quickdrainusa.com