



**PLD26-N, PLD27.5-N  
 PLD30-N, PLD33-N, PLD36-N,  
 PLD40-N, PLD44-N, PLD46-N  
 PLD48-N, PLD52-N, PLD57-N,  
 PLD63-N, PLD68-N  
 TECHNICAL SPECIFICATION**

Job Name _____	Item # _____
Location _____	
Engineer _____	Contractor _____
PO # _____	Tag _____
Representative _____	

**DESCRIPTION**

- 18 Gauge 316L Stainless Steel
- Key feature of the drain body is a fully sloped trough that prevents standing water and solids being deposited in the trough
- 2" I.D. schedule 10 stainless steel down spout waste outlet
- Length adjustability of drain trough with use of trough extensions to accommodate finished openings from 26.25" - 72". QuickDrain USA recommends the drain cover extend the entire length of the shower pan (wall to wall or wall to curb)
- Height adjustability of drain cover with use of spacers for different thicknesses of finish material from 3/8" to 3/4". Custom spacers are available for finish material thicknesses from 1" - 2 1/2"
- Custom drain lengths available from 10"-100". Side outlets, Commercial outlets, Multiple outlets and Resinous drains.
- For more information on our custom drains please visit our website: [www.quickdrainusa.com](http://www.quickdrainusa.com)
- Available with tamper proof cover and screws.

**OPTIONAL ACCESSORIES**

Drain Accessories:

- Leveling or Placement Brackets (2)

Shower Pan Accessories:

- Quick Slopes, Flat Panels, Curb Forms

Liquid Waterproofing Accessories:

- Curb Covers

**DRAIN BODY INCLUDES**

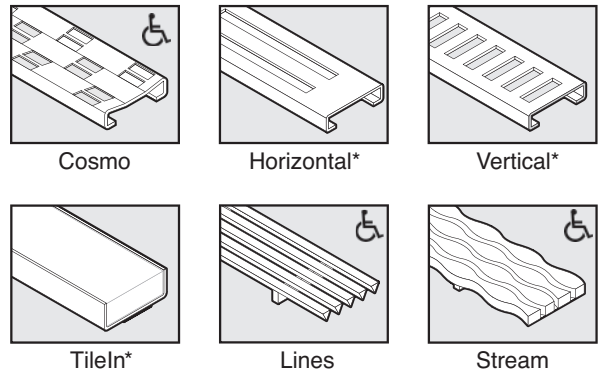
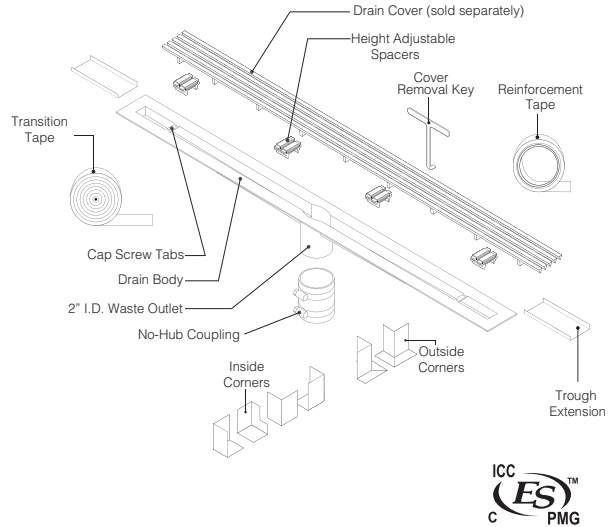
- Height adjustable spacers\*
- Trough Extensions (2)
- No-hub coupling (1)
- Cover removal key (2)
- Transition Tape (1)
- Inside Corners (4)
- Outside Corners (2)
- Reinforcement Tape (1)

\*See chart for part quantities of different drain lengths

**APPROVALS AND LISTINGS**

Before installing QuickDrain USA system, check with your local building department/plumbing inspector to ensure compliance with the local building codes. QuickDrain USA LLC is not responsible for any conflicts with local building codes. QuickDrain USA LLC is not responsible for improper installation of any part of the assembly or the waterproofing membrane. Dimensions are subject to manufacturer's tolerance and can change without notice.

**PROLINE DRAIN ASSEMBLY**



\*Not recommended for curbless entry showers

MODEL NUMBER	HEIGHT ADJUSTABLE SPACERS	COVER LENGTH
PLD26-N, PLD27.5-N	4	COVER32
PLD30-N, PLD33-N, PLD36-N	4	COVER40
PLD40-N, PLD44-N, PLD46-N	6	COVER48
PLD48-N, PLD52-N	6	COVER56
PLD57-N	8	COVER64
PLD63-N, PLD68-N	8	COVER72

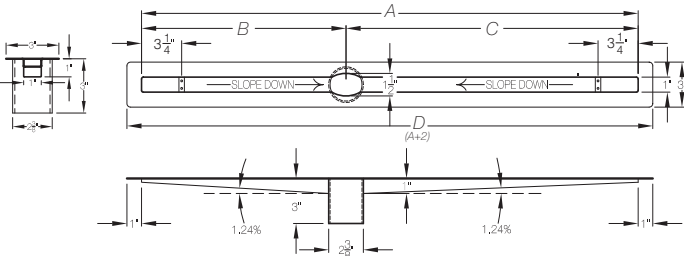
**REQUIRED PART (NOT INCLUDED) - DRAIN COVER**

- Available in the designs below and in these lengths – 32" , 40" , 48" , 56" , 64" , and 72"



**PLD26-N, PLD27.5-N  
 PLD30-N, PLD33-N PLD36-N,  
 PLD40-N, PLD44-N, PLD46-N  
 PLD48-N, PLD52-N, PLD57-N,  
 PLD63-N, PLD68-N  
 TECHNICAL SPECIFICATION**

**PROLINE DRAIN BODY DIMENSIONS**



MODEL	A	B	C	D
PLD26-N	26	13	13	28
PLD27.5-N	27.5	13.75	13.75	29.5
PLD30-N	30	12	18	32
PLD33-N	33	16.5	16.5	35
PLD36-N	36	15	21	38
PLD40-N	40	17	23	42
PLD44-N	44	19	25	46
PLD46-N	46	23	23	48
PLD48-N	48	21	27	50
PLD52-N	52	23	29	54
PLD57-N	57	25.5	31.5	59
PLD63-N	63	31.5	31.5	65
PLD68-N	68	34	34	70

**INSTALLATION NOTES**

- Install product according to the Typical ProLine Drain Installation details
- Drain body cannot be modified
- Drain cover can be cut on site to finished length
- When used at the entry to a curbless shower as a primary shower drain, the capacity of the drain is 5 GPM and COSMO, LINES, or STREAM are the only recommended cover patterns.

- 1 Stud Wall
- 2 Backer Board
- 3 Thin-set (for wall tile)
- 4 First layer of Liquid Waterproofing
- 5 Reinforcing Fabric
- 6 Second layer of Liquid Waterproofing
- 7 Quick Slope
- 8 Thin-set
- 9 Sub-floor
- 10 Floor Joists (wood floor)
- 11 Drain Body
- 12 Trough Extension
- 13 Wall Tile and Grout
- 14 Drain Cover
- 15 Height Adjustable Spacer
- 16 Capillary Break
- 17 Transition Tape
- 18 De-coupling Crack-isolation Matt
- 19 Thin-set
- 20 Blocking(wood floor)

